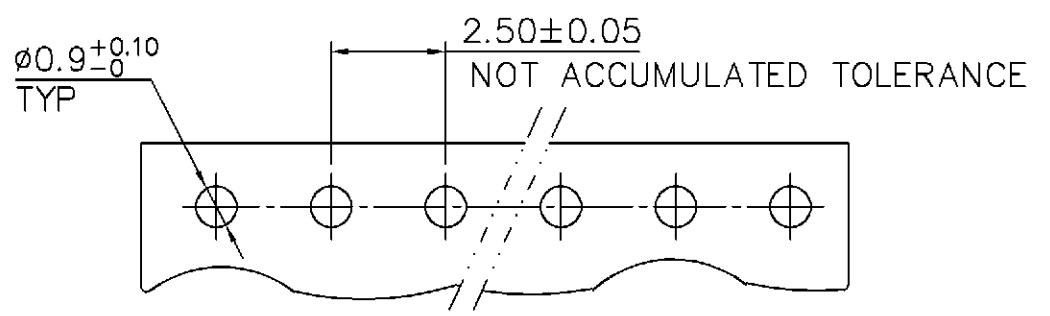
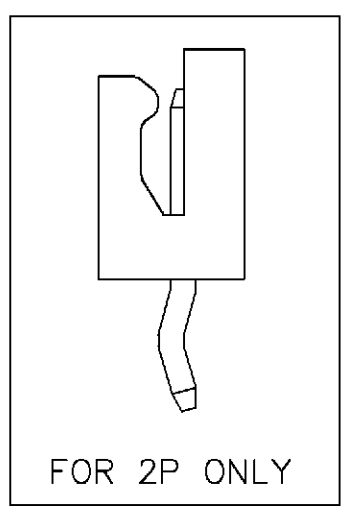
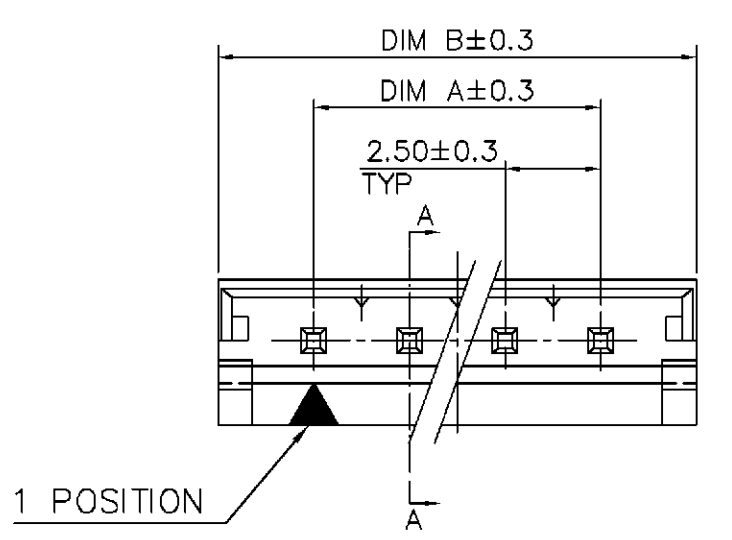
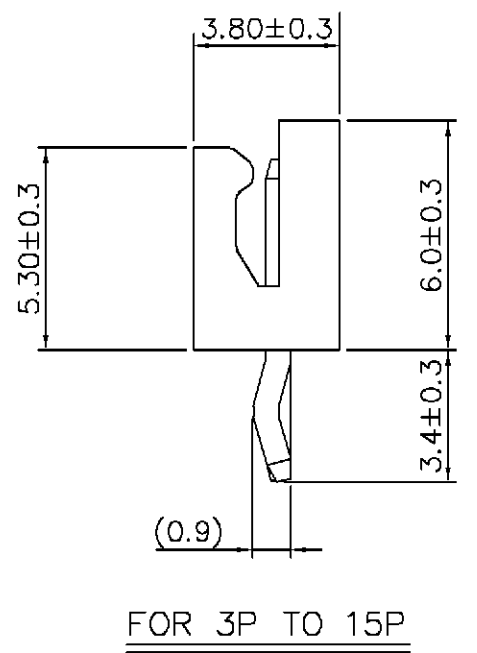
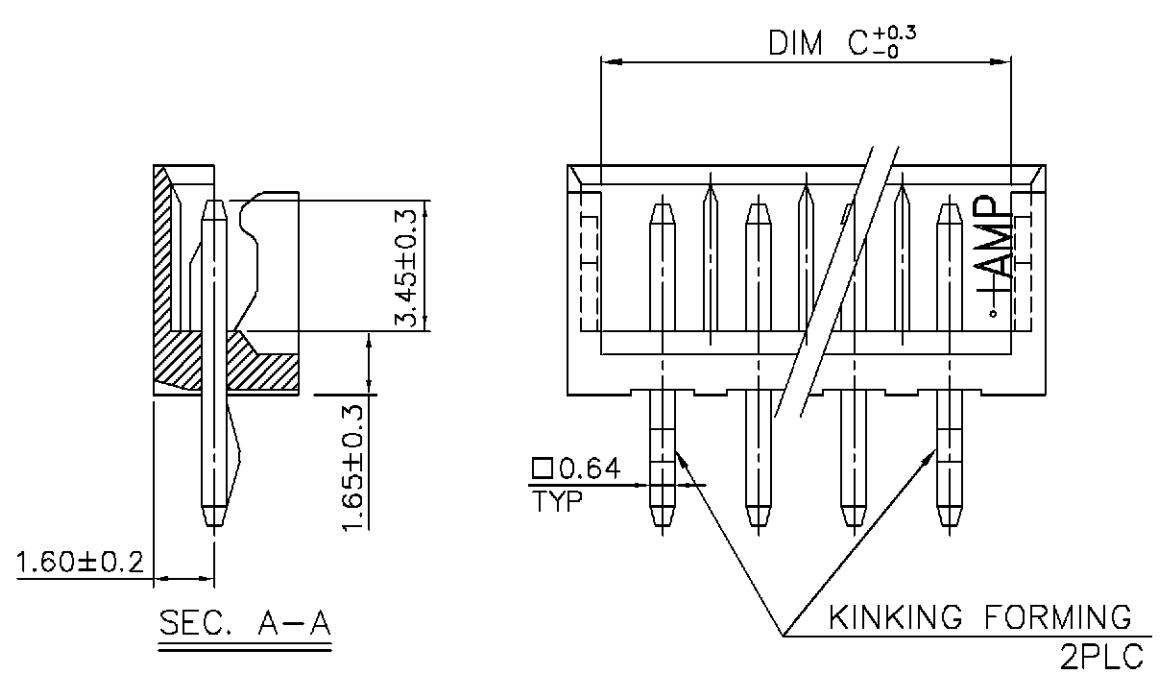


NUMBER C-440052
 METRIC
 DIMENSIONS IN MILLIMETERS. DO NOT SCALE PRINT.
 PRINT DIST DW

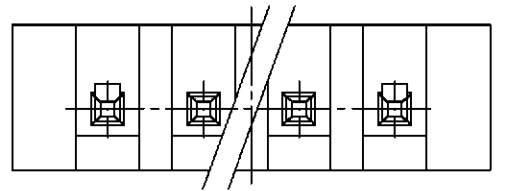


RECOMMENDED PCB LAYOUT
(PCB THK=1.0~1.6)

- NOTE:
- MATERIAL :
HOUSING : THERMOPLASTIC UL94V-0,
COLOR: SEE TABLE.
CONTACT : BRASS.
 - FINISH:
CONTACT : 80u" MIN. TIN PLATED ON CONTACT AREA.
 - WHEN EXTRACTING RECEPTACLE HOUSING FROM
HEADER, NOT WIRE BUT RECEPTACLE HOUSING
SHOULD BE GRIPED IN ORDER TO AVOID THE
WIRE BREAKAGE.



39.2	40.0	35.00	15P	3-440052-5	1-440052-5
36.7	37.5	32.50	14P	3-440052-4	1-440052-4
34.2	35.0	30.00	13P	3-440052-3	1-440052-3
31.7	32.5	27.50	12P	3-440052-2	1-440052-2
29.2	30.0	25.00	11P	3-440052-1	1-440052-1
26.7	27.5	22.50	10P	3-440052-0	1-440052-0
24.2	25.0	20.00	9P	2-440052-9	440052-9
21.7	22.5	17.50	8P	2-440052-8	440052-8
19.2	20.0	15.00	7P	2-440052-7	440052-7
16.7	17.5	12.50	6P	2-440052-6	440052-6
14.2	15.0	10.00	5P	2-440052-5	440052-5
11.7	12.5	7.50	4P	2-440052-4	440052-4
9.2	10.0	5.00	3P	2-440052-3	440052-3
6.7	7.5	2.50	2P	2-440052-2	440052-2
DIM C	DIM B	DIM A	CIRCUITS	YELLOW	NATURAL
				HOUSING COLOR	
				PART NUMBER	



TOLERANCES UNLESS OTHERWISE SPECIFIED: 0 PLC ± 0.5 1 PLC ± 0.3 2 PLC ± 0.2 3 PLC ± 0.15 ANGLES ±	DWN	O. HU	
		27-SEP-2002	
MATERIAL SEE NOTE	CHK	J. CHENG	2.5 MM PITCH HPI VERTICAL POST HEADERS
		27-SEP-2002	
FINISH SEE NOTE	APVD	J. WU	LOC SIZE DRAWING NO REV DW A ₃ C-440052 C1
		27-SEP-2002	
	PRODUCT SPEC	108-57099	SCALE SHEET -- 1 OF 2
	APPLICATION SPEC		
	WEIGHT		

C1	REVISION RECORD	REVISD PER ECO-11-005301	RK HMR	5APR11
LTR		ECO	DWN CHK	DATE

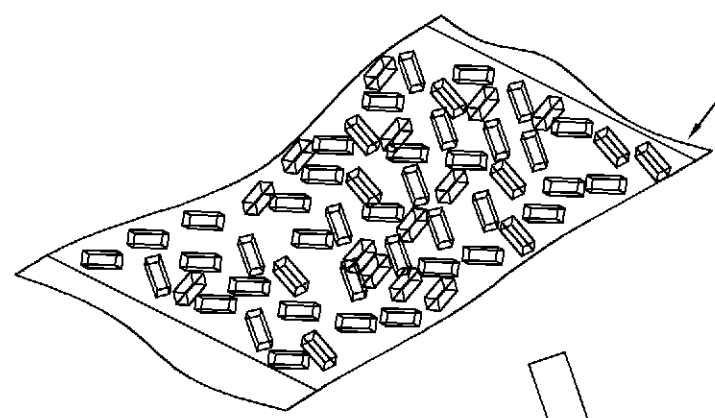
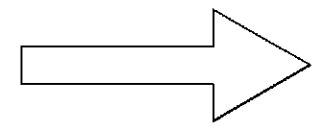
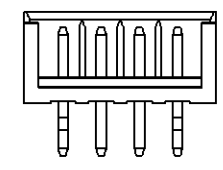
NUMBER
C-440052

3RD ANGLE PROJECTION

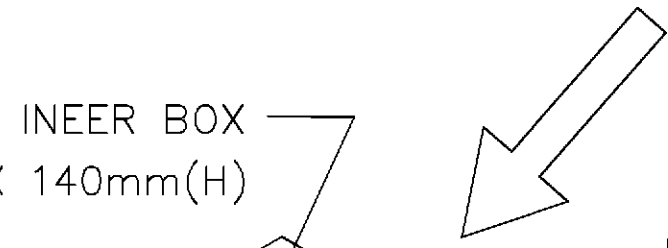
METRIC

DIMENSIONS IN MILLIMETERS. DO NOT SCALE PRINT.

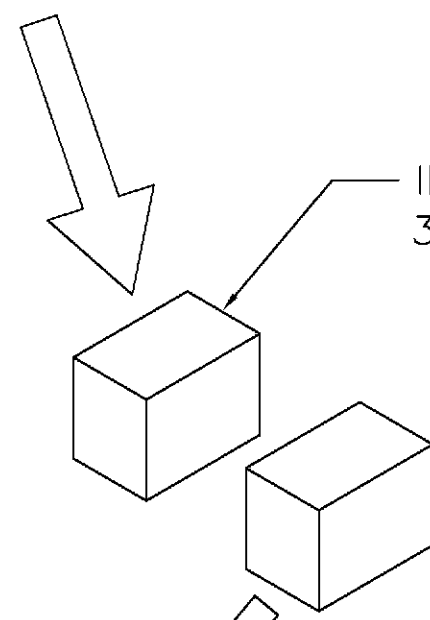
PRINT DIST
DW



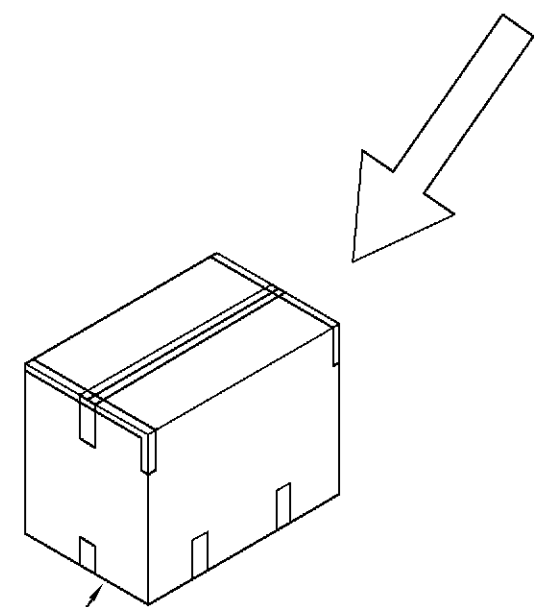
POLY BAG
127mm(L)X 203mm(W)X 0.07mm(H)



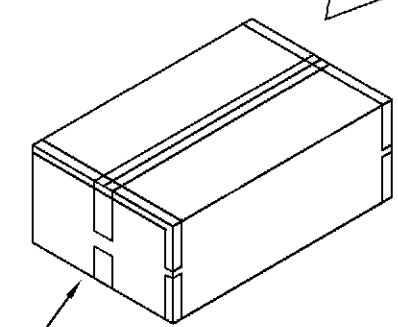
INEER BOX
320mm(L)X 220mm(W)X 140mm(H)



INEER BOX
320mm(L)X 220mm(W)X 140mm(H)



CARTON
340mm(L)X 470mm(W)X 316mm(H)
(FOR HEADER 6P~16P ONLY)



CARTON
340mm(L)X 470mm(W)X 168mm(H)
(FOR HEADER 2P~5P ONLY)

12,960	180	15P	3-440052-5	1-440052-5
12,000	200	14P	3-440052-4	1-440052-4
14,400	200	13P	3-440052-3	1-440052-3
16,000	250	12P	3-440052-2	1-440052-2
16,000	250	11P	3-440052-1	1-440052-1
20,000	250	10P	3-440052-0	1-440052-0
21,600	300	9P	2-440052-9	440052-9
25,200	350	8P	2-440052-8	440052-8
28,000	350	7P	2-440052-7	440052-7
35,000	350	6P	2-440052-6	440052-6
20,000	500	5P	2-440052-5	440052-5
24,000	600	4P	2-440052-4	440052-4
30,000	750	3P	2-440052-3	440052-3
36,000	1,000	2P	2-440052-2	440052-2
APQ (PCS/CARTON)	PPQ (PCS/BAG)	CIRCUITS	YELLOW	NATURAL
			HOUSING COLOR	
			PART NUMBER	

TOLERANCES UNLESS OTHERWISE SPECIFIED: 0 PLC ± 1 PLC ± 2 PLC ± 3 PLC ± ANGLES ±	DWN	O. HU	TE Connectivity 27-SEP-2002 NAME			
	CHK	J. CHENG				
MATERIAL SEE SHEET 1.	APVD	J. WU	2.5 MM PITCH HPI VERTICAL POST HEADERS			
	PRODUCT SPEC	27-SEP-2002				
FINISH SEE SHEET 1.	APPLICATION SPEC		LOC	SIZE	DRAWING NO	REV
	WEIGHT		DW	A ₃	C-440052	C1
		SCALE	SHEET		2 OF 2	

LTR	REVISION RECORD	SEE SHEET 1.	ECO	DWN	CHK	DATE
-----	-----------------	--------------	-----	-----	-----	------